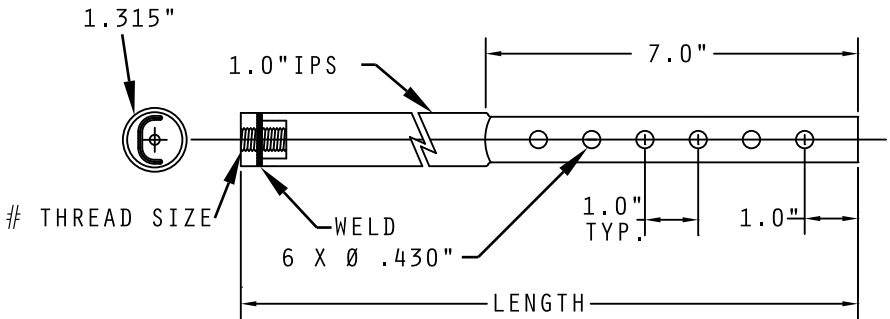
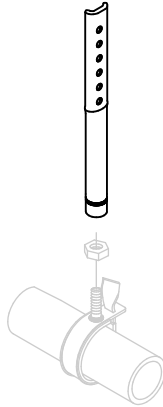


# HANGER LEG SUPPORT

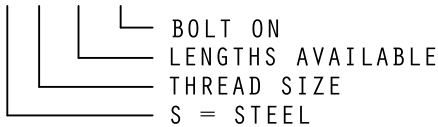
HEAVY DUTY WELD STUD (BOLT ON) TYPE



CATALOG NUMBERING SYSTEM (FOR EACH LEG)

SAMPLE CATALOG NUMBER:

EF S # \*\* B



*ADDITIONAL LENGTHS AND MATERIALS AVAILABLE*

AVAILABLE IN 6" INCREMENTS FROM 12" TO 48"	
STEEL	
PART NUMBER	THREAD SIZE
EFS112B - EFS148B	I.P.S 1.0" PIPE THREAD
EFS212B - EFS248B	5/8" - 11 U.N.C.