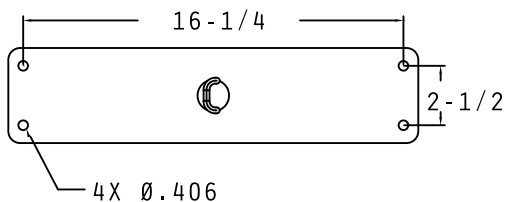
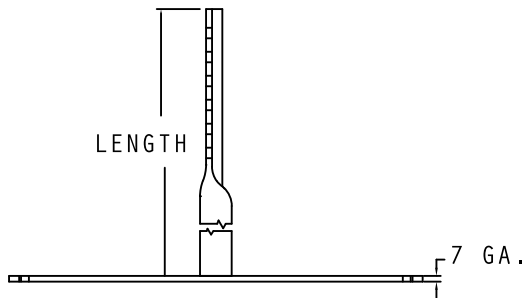
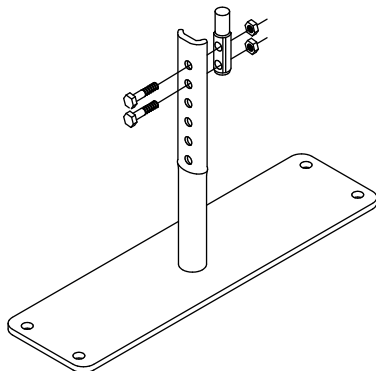


LIGHT LEG

WELD STUD (BOLT ON) TYPE



STEEL	
PART NUMBER	LENGTH
EFP5B07S	6 1/2"
EFP5B09S	8 1/2"
EFP5B12S	11 1/2"
EFP5B16S	15 1/2"
EFP5B20S	19 1/2"
EFP5B24S	23 1/2"
EFP5B30S	29 1/2"
LIGHT FIXTURE NO.	
ZLXACHS10446, ZLXACHS10446CR	