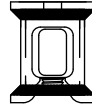
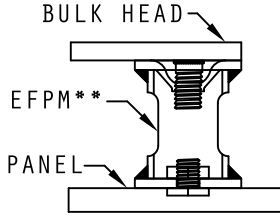
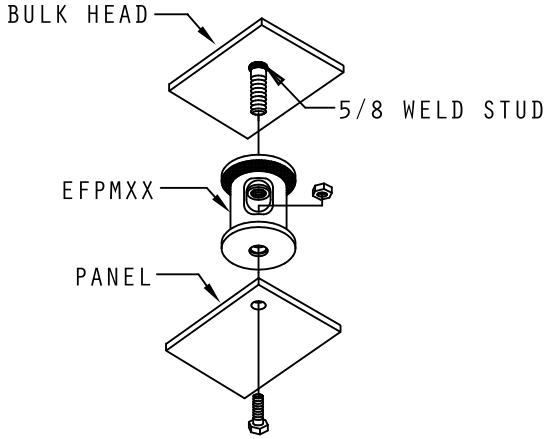


# FOUNDATION PANEL MOUNT



LENGTH

AVAILABLE IN 3" - 6", 9"	
STEEL	
3/8" HOLE	1/2" HOLE
EFPM03 - EFPM09	EFPM031 - EFPM091