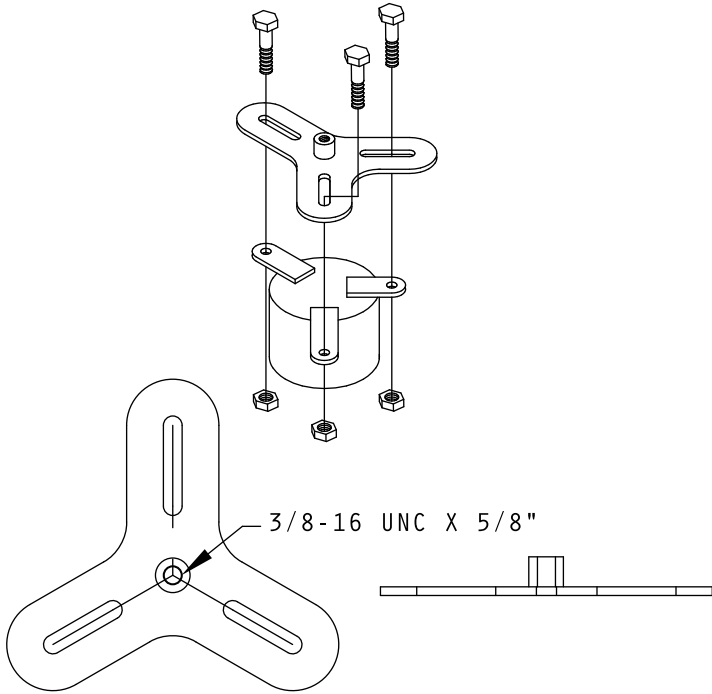


SYMBOL BOX MOUNTING BRACKET

STUD WELD



ADDITIONAL TAPPED PAD SIZES AVAILABLE

AVAILABLE IN STEEL OR ALUMINUM							
STEEL	ALUMINUM	STEEL	ALUMINUM	STEEL	ALUMINUM	STEEL	ALUMINUM
EFB00	EFB00A	EFB01	EFB01A	EFB02	EFB02A	EFB03	EFB03A
ELECTRICAL SYMBOL NO.		ELECTRICAL SYMBOL NO.		ELECTRICAL SYMBOL NO.		ELECTRICAL SYMBOL NO.	
400.1		400.1	829.1	435.1	2627.3	434	
804.1		400.2	850.1	671.1	2628	915.1	
829.1		400.3	857	960	2628.1	2788	
1148.1		400.4	862	2622.1	2628.2	2788.1	
		520.1	863	2622.2	2860.1	2819.1	
		528	879.1	2622.3	2986	2819.2	
		801.2	1148.1	2626	2987	2819.3	
		804.1	1148.2	2627		2819.4	
		805.1	1148.3	2627.1			
		827.1		2627.2			