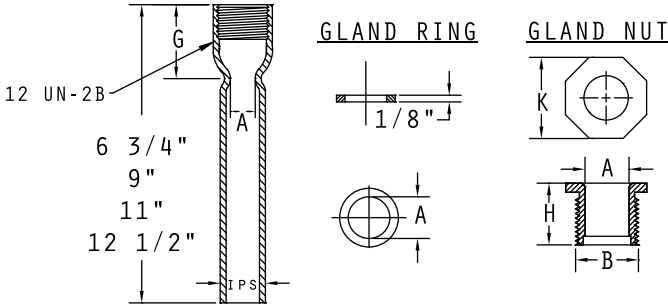


# STUFFING TUBES

## M24235/18 STUFFING TUBE ASSEMBLY

FOR ELECTRIC CABLE PENETRATION OF DECKS AND BULKHEADS ON SHIPS WITH PIPE PROTECTION REDUCED PENETRATION DIAMETER.  
STEEL/STAINLESS/ALUMINUM - SWAGE TYPE - SYMBOL: 1821 - 1843, 1871 - 1893, 1911 - 1933, 1941 - 1963



SMALLER PENETRATION SIZE THAN M24235/17  
CATALOG NUMBERING SYSTEM M24235/18 STUFFING TUBE SAMPLE CATALOG NUMBER:

0A1SC

"C" INDICATES COMPLETE WITH NUT AND WASHER  
"S" INDICATES STEEL  
"A" INDICATES ALUMINUM  
"SS" INDICATES STAINLESS STEEL  
INDICATES LENGTH  
6 = 6.75" (SIZE A-R), 9 = 9" (SIZE S-BB), 1 = 11", 2 = 12.5"  
INDICATES LETTER SIZE OF TUBE  
SIZE A-G AVAILABLE IN 90 DEGREE BENDS

\*INDICATES HOST TUBES

SIZE	MOUNT HOLE	WALL THICKNESS	A	B	C	E	G	H	K
A	29/32	0.840	0.406	7/8	0.785	27/32	1-5/8	1-1/16	1-1/32
*B	29/32	0.840	0.515	1	0.910	27/32	1-5/8	1-1/16	1-1/8
C	1-1/8	0.113	0.640	1-1/8	1.035	1-1/16	1-5/8	1-1/16	1-1/4
*D	1-1/8	0.113	0.750	1-1/4	1.160	1-1/16	1-5/8	1-1/16	1-3/8
E	1-25/64	0.133	0.812	1-1/4	1.160	1-21/64	1-5/8	1-1/16	1-3/8
F	1-25/64	0.133	0.843	1-5/16	1.222	1-21/64	1-5/8	1-1/16	1-7/16
*G	1-25/64	0.133	0.953	1-1/2	1.410	1-21/64	1-11/16	1-3/16	1-21/32
J	1-23/32	0.140	1.062	1-5/8	1.532	1-21/32	1-11/16	1-3/16	1-25/32
K	1-23/32	0.140	1.171	1-3/4	1.660	1-21/32	3	1-1/2	1-7/8
*L	1-23/32	0.140	1.265	1-13/16	1.720	1-21/32	3	1-1/2	1-15/16
M	1-31/32	0.145	1.406	2	1.910	1-29/32	3	1-1/2	2-3/16
*N	1-31/32	0.145	1.515	2-1/16	2.000	1-29/32	3	1-9/16	2-1/4
P	2-7/16	0.154	1.625	2-3/16	2.098	2-3/8	3	1-9/16	2-11/32
R	2-7/16	0.154	1.750	2-5/16	2.222	2-3/8	3	1-9/16	2-15/32
*S	2-7/16	0.154	1.875	2-11/16	2.597	2-3/8	5	2-3/16	2-13/16
T	2-15/16	0.203	2.062	2-7/8	2.785	2-7/8	5	2-3/16	2-31/32
V	2-15/16	0.203	2.187	3	2.910	2-7/8	5	2-3/16	3-3/32
*W	2-15/16	0.203	2.312	3-1/8	3.035	2-7/8	5	2-3/16	3-9/32
X	3-9/16	0.216	2.500	3-1/4	3.160	3-1/2	5	2-3/16	3-7/16
Y	3-9/16	0.216	2.609	3-3/8	3.285	3-1/2	5	2-3/16	3-9/16
Z	3-9/16	0.216	2.781	3-9/16	3.472	3-1/2	5	2-3/16	3-3/4
*AA	3-9/16	0.216	2.875	3-3/4	3.660	3-1/2	6-3/4	3-1/8	3-7/8
*BB	4-1/16	0.226	3.157	4	3.910	4	6-3/4	3-1/8	4-1/8