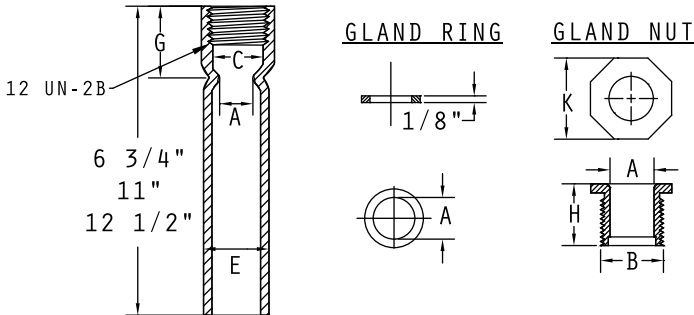


STUFFING TUBES

M24235/17 STUFFING TUBE ASSEMBLY

FOR ELECTRIC CABLE PENETRATION OF DECKS AND BULKHEADS ON SHIPS WITH PIPE PROTECTION
STEEL/ALUMINUM - SWAGE TYPE - SYMBOL: 1701 - 1723, 1731 - 1753, 1761 - 1783, 1791 - 1813



LARGER PENETRATION SIZE THAN M24235/18

CATALOG NUMBERING SYSTEM M24235/17 STUFFING TUBE SAMPLE CATALOG NUMBER:

1A1SC

- "C" INDICATES COMPLETE WITH NUT AND WASHER
- "S" INDICATES STEEL
- "A" INDICATES ALUMINUM
- INDICATES LENGTH
6 = 6.75" (SIZE A-2), 1 = 11", 2 = 12.5"
- INDICATES LETTER SIZE OF TUBE

SIZE	MOUNT HOLE	WALL THICK-NESS	A	B	C	E	G	H	K
A	1-1/8	.113	.406	7/8	.785	1-1/16	1-5/8	1-1/16	1-1/32
B	1-1/8	.113	.515	1	.910	1-1/16	1-5/8	1-1/16	1-1/8
C	1-3/8	.133	.640	1-1/8	1.035	1-5/16	1-5/8	1-1/16	1-1/4
D	1-5/8	.133	.750	1-1/4	1.160	1-5/16	1-5/8	1-1/16	1-3/8
E	1-3/8	.133	.812	1-1/4	1.160	1-5/16	1-5/8	1-1/16	1-3/8
F	1-3/8	.133	.843	1-5/16	1.222	1-5/16	1-5/8	1-1/16	1-7/16
G	1-23/32	.140	.953	1-1/2	1.410	1-21/32	1-11/16	1-3/16	1-21/32
J	1-31/32	.145	1.062	1-5/16	1.535	1-29/32	1-11/16	1-3/16	1-25/32
K	1-31/32	.145	1.172	1-3/4	1.660	1-29/32	3	1-1/2	1-7/8
L	1-31/32	.145	1.265	1-13/16	1.720	1-29/32	3	1-1/2	1-15/16
M	2-7/16	.154	1.406	2	1.910	2-3/8	3	1-9/16	2-3/16
N	2-7/16	.154	1.515	2-1/16	2.000	2-3/8	3	1-9/16	2-1/4
P	2-7/16	.154	1.625	2-3/16	2.098	2-3/8	3	1-9/16	2-11/16
R	2-7/16	.154	1.750	2-5/16	2.222	2-3/8	3	1-9/16	2-15/32
S	2-15/16	.203	1.875	2-11/16	2.597	2-7/8	5	2-3/16	2-13/16
T	3-9/16	.216	2.062	2-7/8	2.785	3-1/2	5	2-3/16	2-31/32
V	3-9/16	.216	2.187	3	2.910	3-1/2	5	2-3/16	3-3/32
W	3-9/16	.216	2.312	3-1/8	3.035	3-1/2	5	2-3/16	3-3/32
X	3-9/16	.216	2.500	3-1/4	3.160	3-1/2	5	2-3/16	3-7/16
Y	4-1/16	.226	2.609	3-3/8	3.285	4	5	2-3/16	3-9/16
Z	4-1/16	.226	2.781	3-9/16	3.472	4	5	2-3/16	3-3/4
AA	4-1/16	.226	2.875	3-3/4	3.660	4	6-3/4	3-1/8	3-7/8
BB	4-9/16	.237	3.157	4	3.910	4-1/2	6-3/4	3-1/8	4-1/8