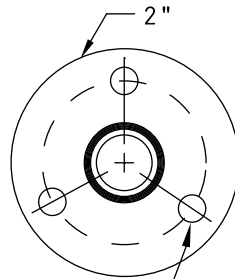
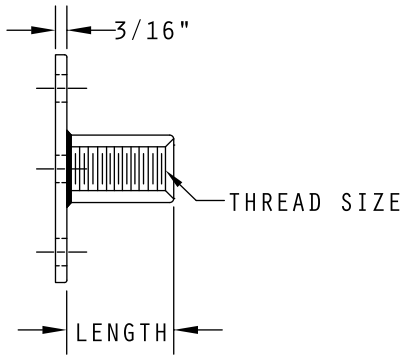
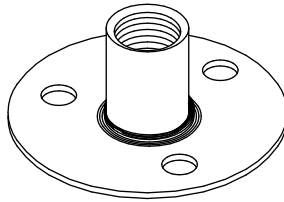


TAPPED PAD PLATE

THREE HOLE MOUNT



AVAILABLE
 3X Ø 13/64"
 OR 3X Ø 1/4"

ADDITIONAL THREAD SIZE AND TAPPED PAD DIAMETERS AVAILABLE

PART NUMBER				
ALUMINUM	STAINLESS	THREAD SIZE	LENGTH	HOLE DIA.
RT138AT1	RT138CT1	3/8" - 16	1"	13/64"
RT138AT2	RT138CT2	3/8" - 16	2"	13/64"
RT138AT1-I	RT138CT1-I	3/8" - 16	1"	1/4"
RT138AT2-I	RT138CT2-I	3/8" - 16	2"	1/4"