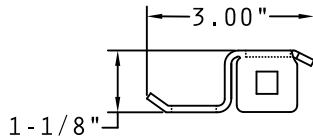
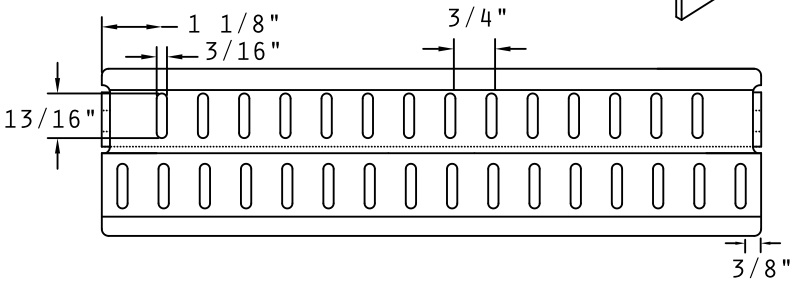
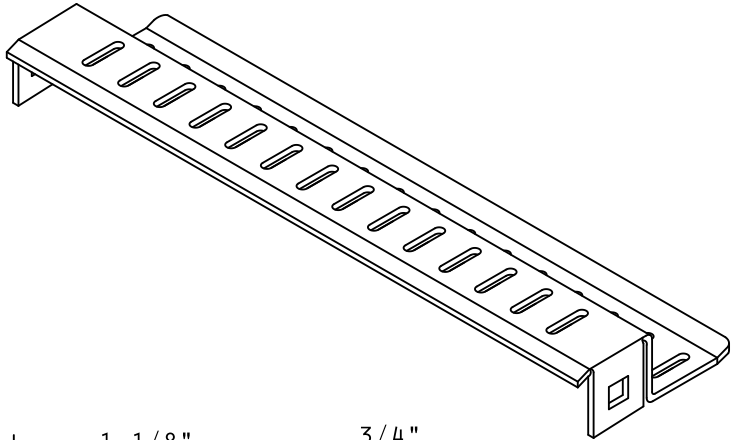


OVER/UNDER CROSTIER WITH TABS

DESIGNED FOR FULL SURFACE CONTACT
WITH CABLE ON ELEVATION CHANGES.



AVAILABLE IN 12", 17", AND 2" INCREMENTS FROM 18" TO 38"	
STEEL	STAINLESS
30USW-12 - 30USW-38	30USSW-12 - 30USSW-38