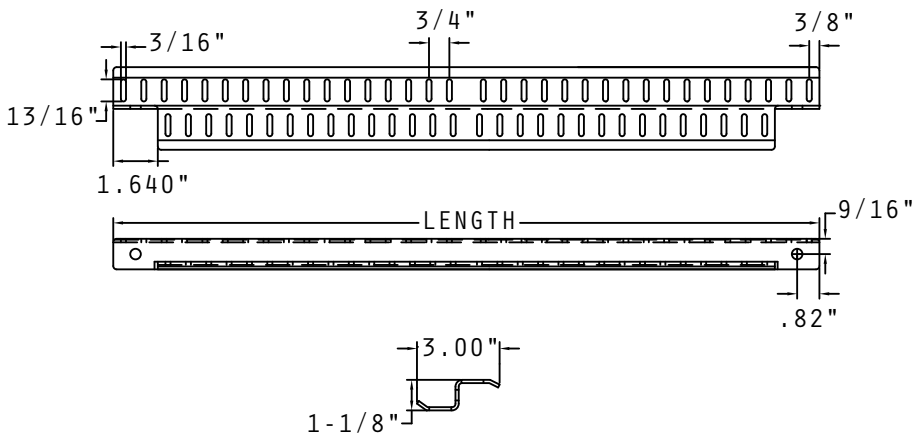
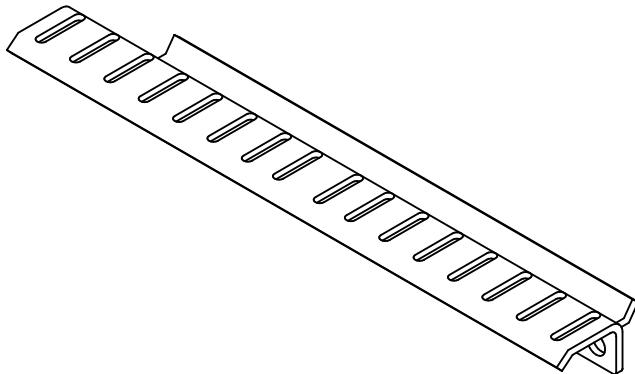


HEAVY DUTY OVER/UNDER CROSSTIER

DESIGNED TO MEET EXTRA HEAVY LOADS,
RATED FOR UP TO 228 LBS. PER TIER

TO BE USED WITH TWO CHANNEL DOWNCOMERS



AVAILABLE IN 17" AND 2" INCREMENTS FROM 20" TO 30"
STEEL
30US-17I - 30US-30I