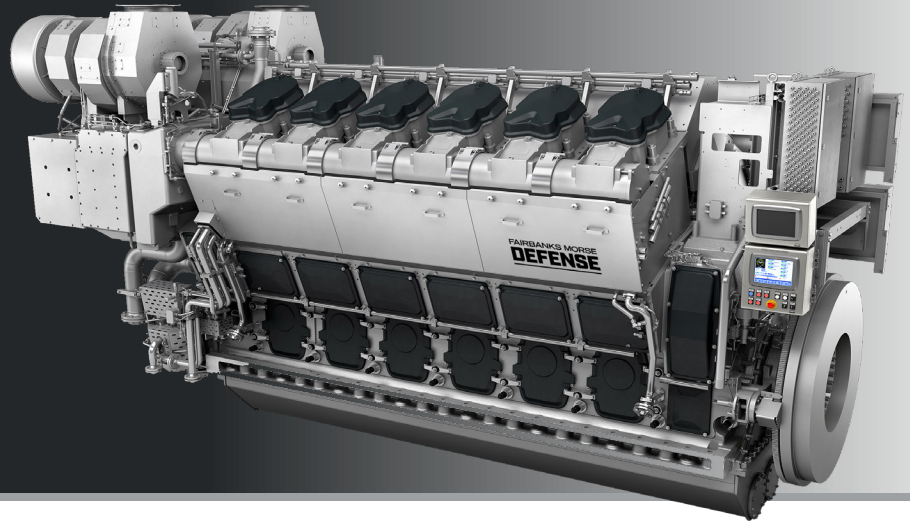


FM 32/44 CR

POWER RANGE
3,600 - 12,000 kWb



High Power Output

This engine boasts the newest technologies in the area of medium speed diesel engines. Using electronic injection, high efficiency turbochargers, electronic hardware and variable valve timing, the FM 32/44 CR is a synthesis of the most advanced large engine technologies available. The common rail technology permits this engine to achieve the highest levels of flexibility for all load ranges and yields significantly better results than any engine with the conventional injection system.

APPLICATIONS

- Marine

INSTALLATIONS

- Commercial Workboats
- Military Vessels

KEY ADVANTAGES

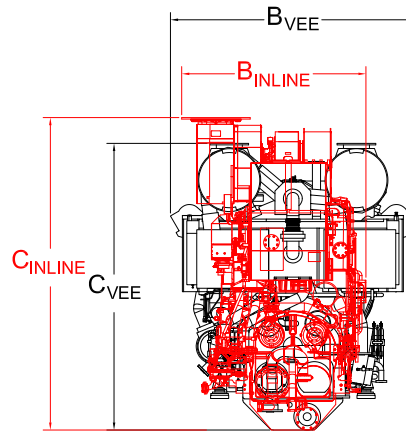
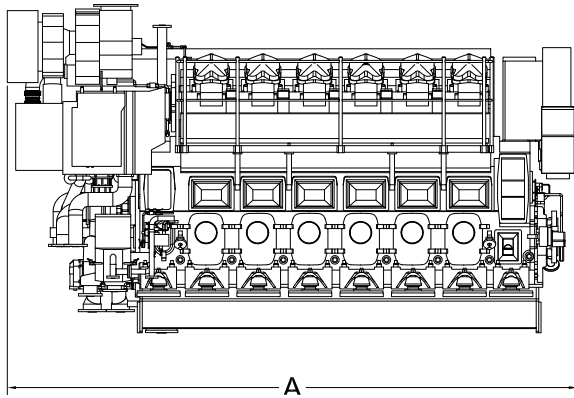
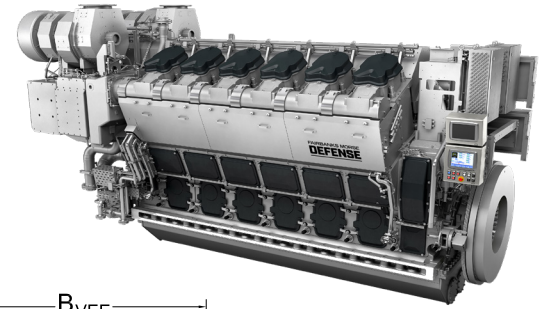
- Advanced electronic common rail injection system
- High specific power output
- High efficiency
- Low operating and life cycle costs
- Long maintenance intervals and service life

SPECIFICATIONS

Cylinder Configuration	6L, 7L, 8L, 9L, 10L, 12V, 14V, 16V, 20V
Cylinder Bore-mm (in)	320 (12.6)
Piston Stroke-mm (in)	440 (17.3)
Cycle	4 Stroke
Displacement/Cylinder - L (cu in)	35.4 (2,159)
Mean Piston Speed - m/s (ft/s)	10.6 (34.6) 720 rpm 11.0 (36.1) 750 rpm
Fuel Type	Diesel

FM 32/44 CR

POWER RANGE
3,600 - 12,000 kWb



POWER RATINGS		DIMENSIONS			
Cylinders	720 & 750 RPM kWb	Length A mm	Width B mm	Height C mm	Dry Weight M tons
6L	3,600	5,265	2,174	4,163	39.5
7L	4,060	5,877	2,359	4,359	44.5
8L	4,800	6,407			49.5
9L	5,400	6,937			53.5
10L	6,000	7,556			58
12V	7,200	5,795	3,100	4,039	70
14V	8,120	6,425		4,262	79
16V	9,600	7,055			87
20V	11,640	8,315			104

FAIRBANKS MORSE
DEFENSE

701 White Avenue
Beloit, Wisconsin 53511 USA
1-800-356-6955

FM.Marketing@fmdefense.com

©2022 Fairbanks Morse Defense. All rights reserved. Form 3030.0122

fairbanksmorsedefense.com