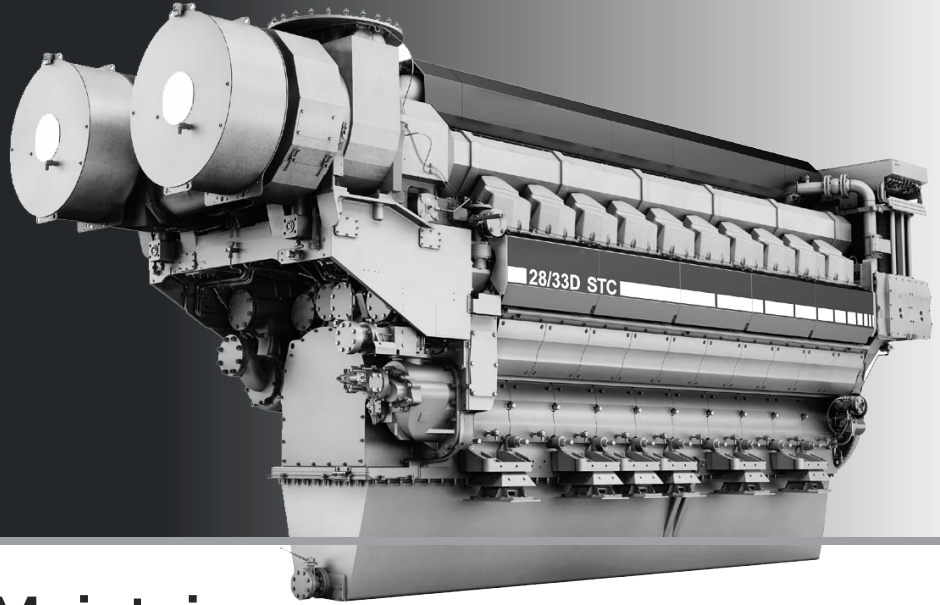


FM 28/33D D STC

POWER RANGE
5,460 - 10,000 kWb



Easy to Install and Maintain

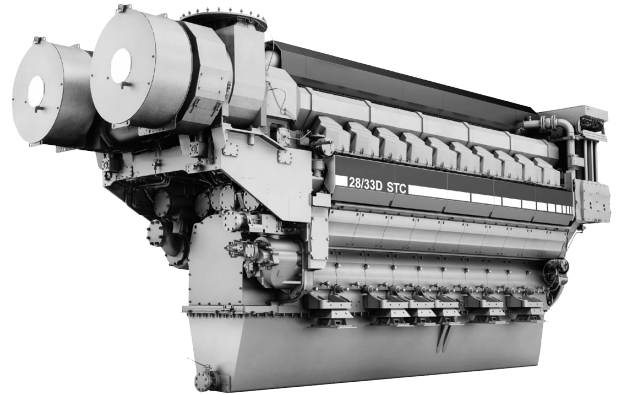
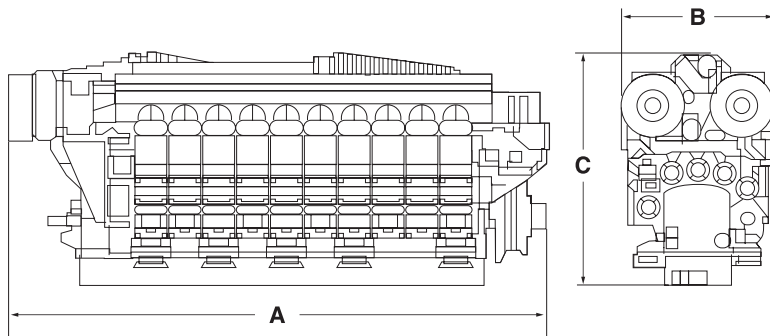
The FM 28/33 D STC combines world-class engineering and state-of-the-art technology to produce the most powerful and fuel efficient 1,000 rpm diesel engine in the world. Reduced component count eases installation and maintenance while the 52 Degree Vee angle minimizes width and facilitates installation.

APPLICATIONS	INSTALLATIONS	KEY ADVANTAGES
<ul style="list-style-type: none"> • Marine 	<ul style="list-style-type: none"> • Commercial Workboats • Military Vessels 	<ul style="list-style-type: none"> • Reduced component count eases installation and maintenance • 52 Degree Vee angle minimizes width and facilitates installation • Electronically controlled injection system improves SFC, performance and transient response • Sequential turbo charging improves SFC, reduces soot • Best-in-class fuel efficiency • Industry leading power rating

SPECIFICATIONS			
Cylinder Configuration	12V, 16V, 20V	Cycle	4 Stroke
Cylinder Bore - mm (in)	280 (11.0)	Displacement/Cylinder-L (cu in)	20.3 (1,240)
Piston Stroke - mm (in)	330 (13.0)	Mean Piston Speed - m/s (ft/min)	11.0 (36.0) - 1,000 rpm 11.4 (37.2) - 1,032 rpm

FM 28/33D STC

POWER RANGE
5,460 - 10,000 kWb



POWER RATINGS			DIMENSIONS			
Cylinders	FERRY 1000 RPM kWm	NAVY 1032 RPM kWm	Length A mm	Width B mm	Height C mm	Dry Weight M tons
12V	5,460	6,000	6,217	2,473	3,682	37.8
16V	7,280	8,000	7,137	2,473	3,682	45.8
20V	9,100	10,000	8,057	2,473	3,682	52.9

NOTES

All ratings subject to factory approved application. Power ratings P_{ISO} are as specified in DIN ISO 3046-1.

Power rating valid for tropical conditions: Air temp 45°C. Cooling water temp. at aircooler 38°C. Ambient pr 1 bar. Tolerance for weight $\pm 5\%$

FAIRBANKS MORSE **DEFENSE**

701 White Avenue
 Beloit, Wisconsin 53511 USA
 1-800-356-6955

FM.Marketing@fmdefense.com

©2022 Fairbanks Morse Defense. All rights reserved. Form 3004.0122

fairbanksmorsedefense.com